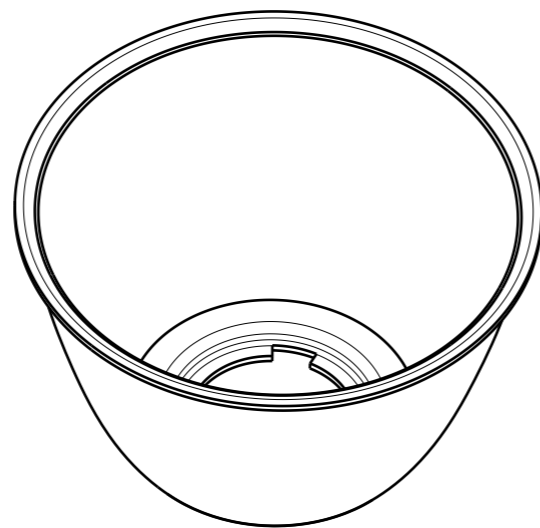
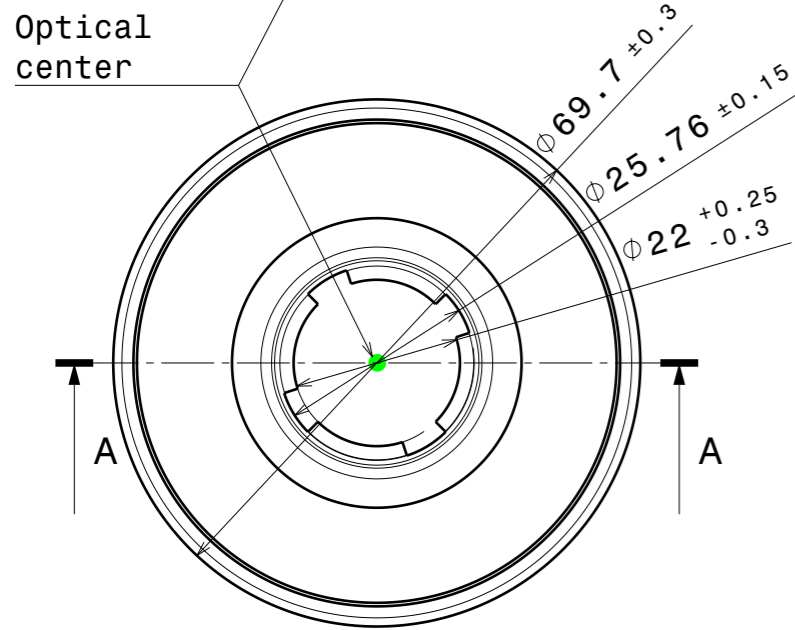


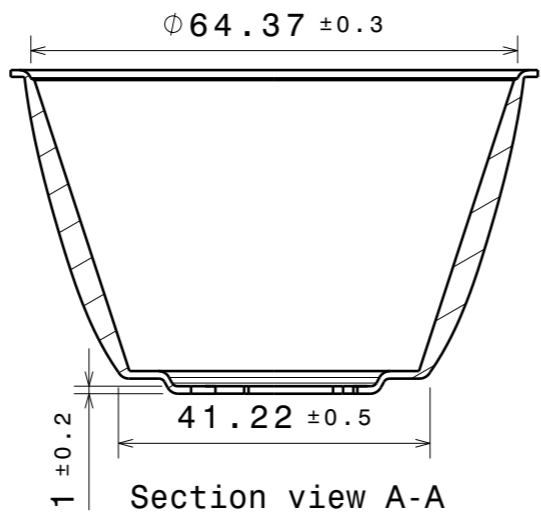
Bottom view
Scale: 1:1



Isometric view
Scale: 1:1

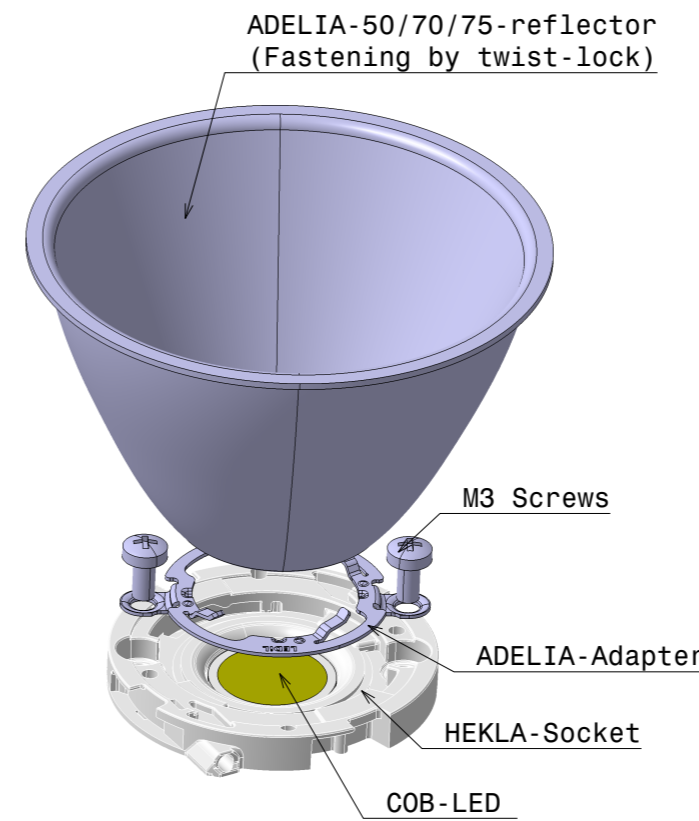


Front view
Scale: 1:1

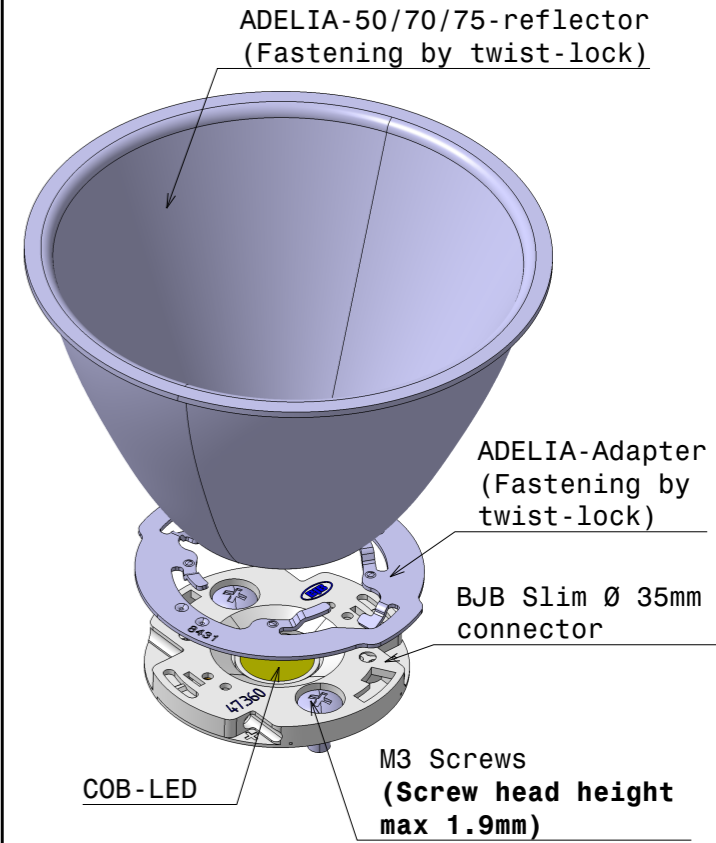


Section view A-A
Scale: 1:1

Example assembly
with Hekla socket:



Example assembly with
slim Ø 35mm BJB socket:



PART	TYPE	MATERIAL	COLOR / COATING
C18656_ADELIA-70-WW	Reflector	Aluminium	Polished

MECHANICAL DRAWING		LEDiL
PRODUCT ADELIA		
Plastic moulding general tolerances according to DIN 16901-130 and applies if not otherwise shown in the drawing. Silicone moulding general tolerances according to ISO 3302-1 Class M3 and applies if not otherwise shown in the drawing.	FIRST ANGLE PROJECTION: 	This drawing is the property of LEDiL Oy. It may not be copied or otherwise distributed without prior written permission from LEDiL Oy.
SCALE 1:1	WEIGHT -	A3 SHEET 1/1

Notes

	PCB or heatsink level.
	LED location
	Ensure LED fitting from a product specific 3D model available from www.ledil.com
	For more details about installation please see LEDiL Installation Guide on www.ledil.com